

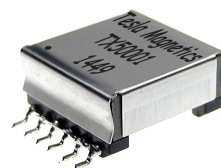


TX5001 PoE Forward Transformer



Features:

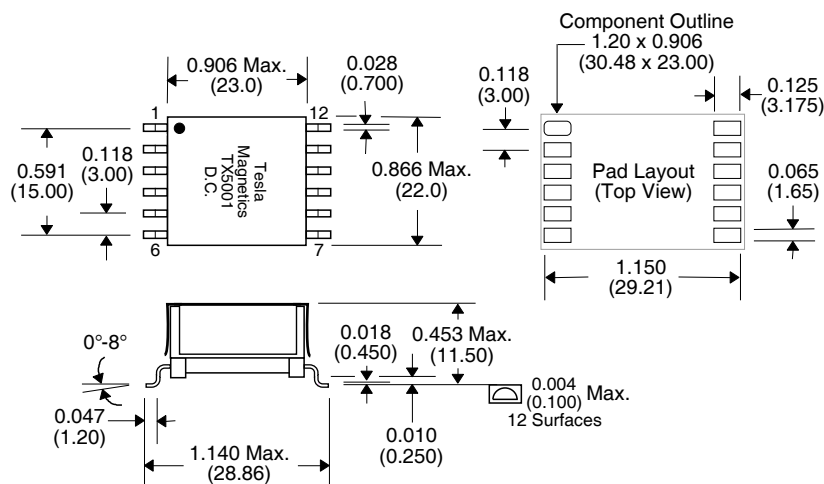
- 90W PoE Synchronous Forward Transformer
- Designed to work with LTC3725
- Class B Insulation System
- Switching Frequency: 200kHz
- Peak Switching Current: 7A
- Duty Cycle: 65% Max.
- Operating Temperature: -40°C to +125°C
- Storage Temperature: -40°C to +125°C



Electrical Specifications @25°C

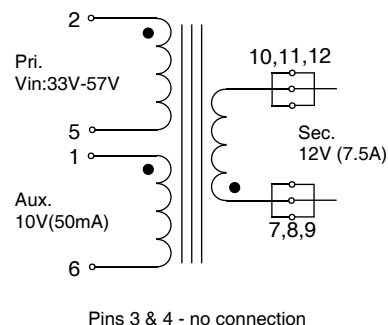
Inductance ($\mu\text{H} \pm 10\%$)	Turns Ratio	Leakage Inductance (μH Max.)	Interwinding Capacitance (pF Max.)	DCR ($\text{m}\Omega$ Max.)			Hipot (Vrms)	
				Pri.	Aux.	Sec.	Wdgs. To Core	Pri. & Aux. To Sec.
Primary	Pri.:Aux.:Sec.	Primary with Aux. & Sec. shorted	Primary to Aux & Secondary	Pri.	Aux.	Sec.	Wdgs. To Core	Pri. & Aux. To Sec.
180	1.5:0.875:1	0.45	250	25	200	10	1500Vrms.	1500Vrms.

Packaging



All Dimensions are in inches (mm).

Schematic



- Product weight: 14.6 grams
- Moisture sensitivity level: 1
- Resistance to solder heat: 260°C
- Ordering Information:
TX5000 - Tube Packaging (25pcs./Tube)
TX5000T - Tray Packaging (40pcs./Tray)
TX5000TR - Tape & Reel (150pcs./Reel)